



# 455 Rancher 455e 460

**Spare parts**

**Ersatzteile**

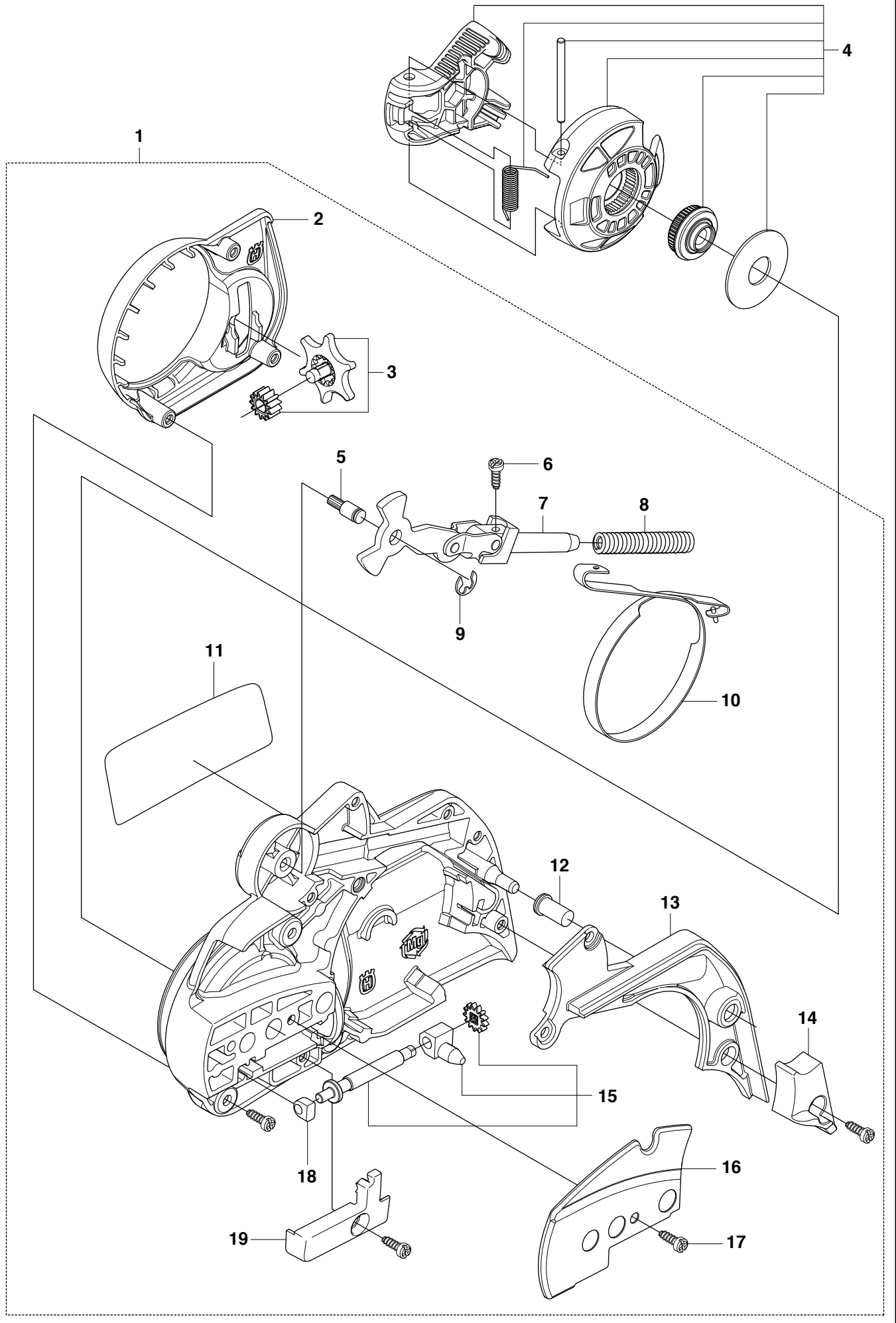
**Pièces détachées**

**Reserve onderdelen**

**Repuestos**

**Reservdelar**

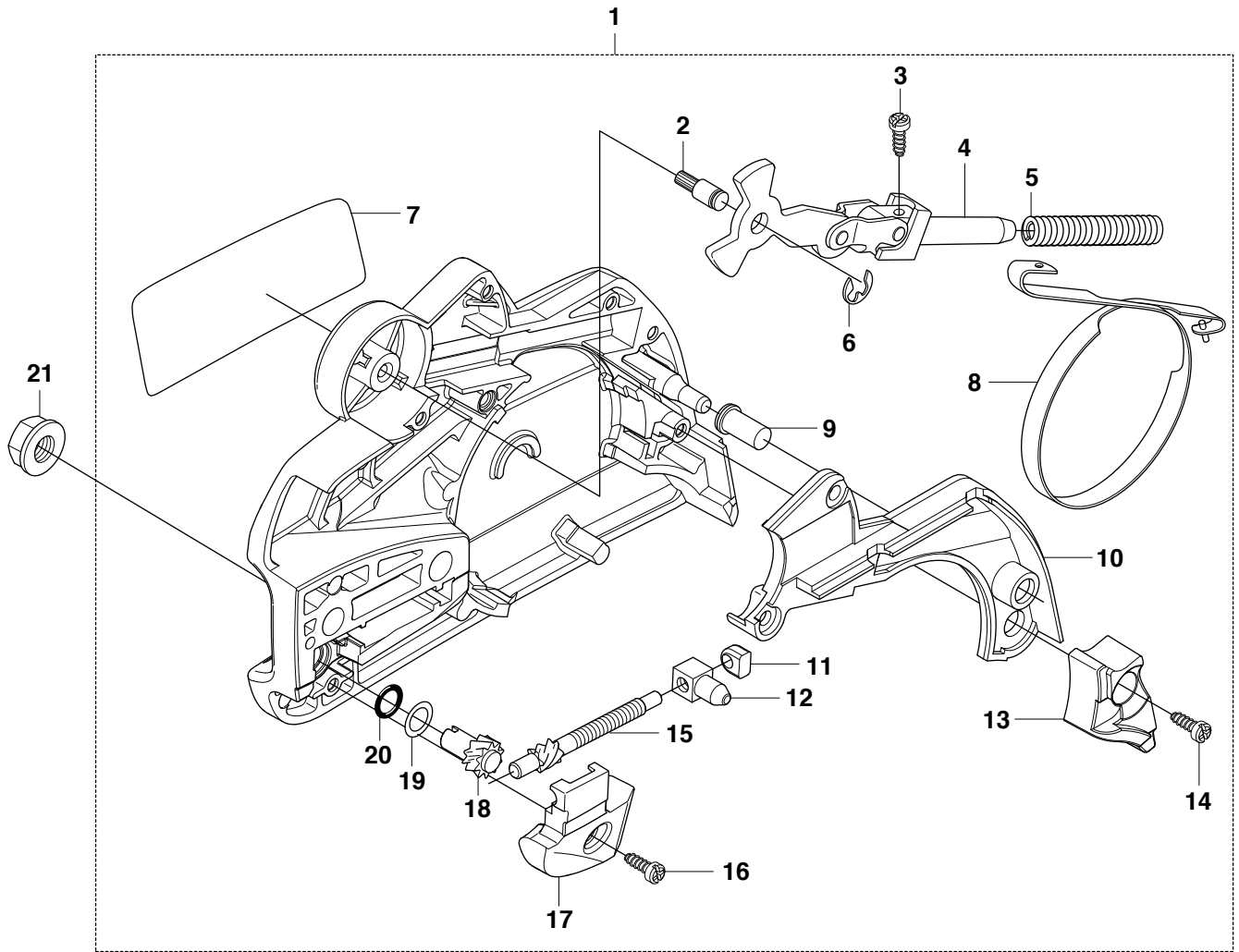
# A1 455e Rancher CLUTCH COVER



## CLUTCH COVER

Position	Article	Quantity	Notes	Kit
1	544 21 72-01	1		
2	537 39 26-01	1		1
3	537 34 72-01	1		1
4	537 34 78-01	1		
5	503 89 29-01	1		1
6	503 21 70-10	1		1
7	503 89 08-02	1		1
8	503 46 59-01	1		1
9	735 31 08-20	1		1
10	537 04 30-01	1		1
11	544 35 75-01	1		1
12	503 85 52-01	1		1
13	544 08 29-01	1		1
14	544 08 30-01	1		1
15	537 39 29-01	1		1
16	505 32 10-01	1		1
17	503 21 70-10	9		1
18	525 35 43-01	1		1
19	504 54 28-01	1		1

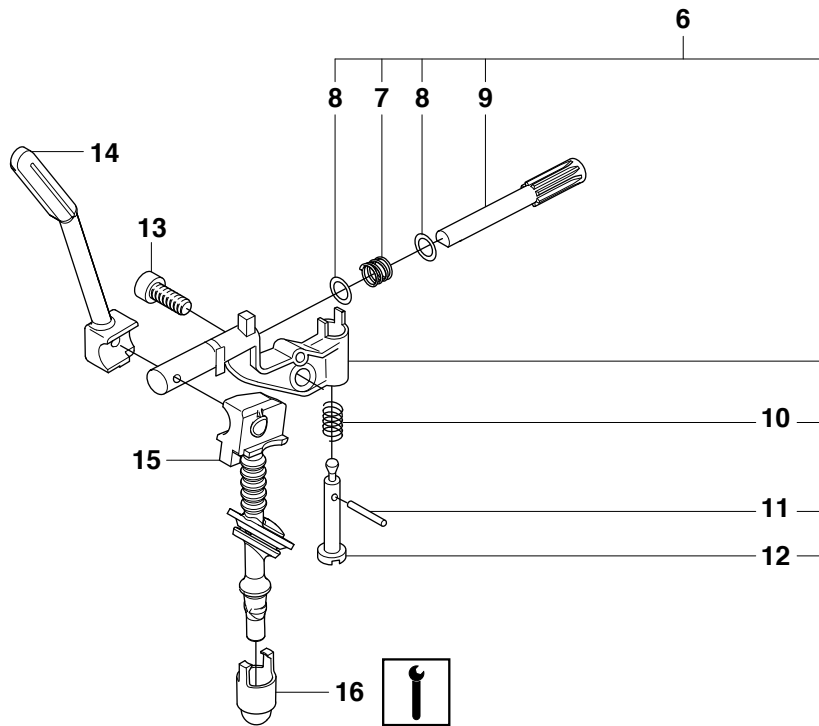
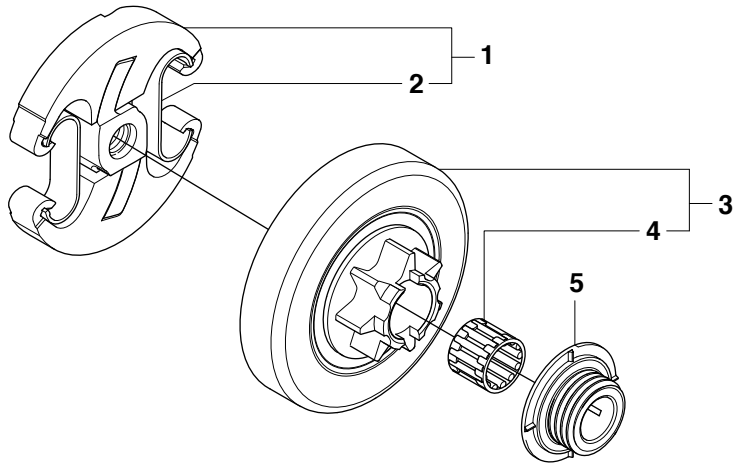
**A2** 455 Rancher, 460  
CLUTCH COVER



## CLUTCH COVER

Position	Article	Quantity	Notes	Kit
1	537 28 63-01	1		
2	503 89 29-01	1		1
3	503 21 70-10	1		1
4	503 89 08-02	1		1
5	503 46 59-01	1		1
6	735 31 08-20	1		1
7	537 29 86-01	1		1
8	537 04 30-01	1		1
9	503 85 52-01	1		1
10	537 10 80-02	1		1
11	537 01 74-01	1		1
12	537 28 66-01	1		1
13	537 08 90-01	1		1
14	503 21 70-10	4		1
15	537 28 65-01	1		1
16	503 21 70-10	1		1
17	537 28 64-01	1		1
18	537 07 94-02	1		1
19	503 23 00-63	1		1
20	740 48 07-02	1		1
21	503 22 00-01	2		

**B** 455e, 455, 460  
CLUTCH & OIL PUMP

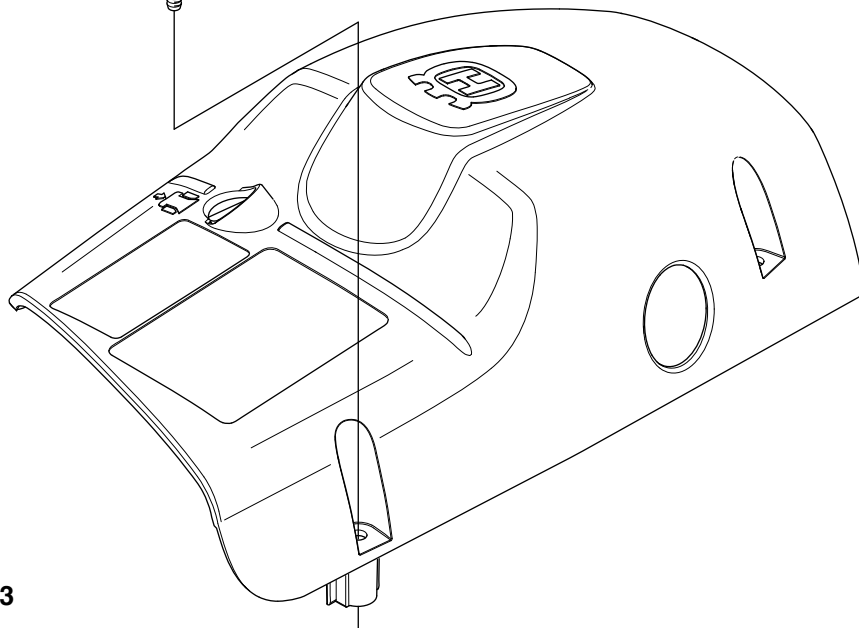
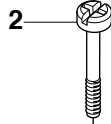


**Page B 455e, 455, 460 CLUTCH & OIL PUMP**

<b>Position</b>	<b>Article</b>	<b>Quantity</b>	<b>Notes</b>	<b>Kit</b>
1	537 11 05-03	1		
2	537 35 91-01	2		1
3	537 29 17-02	1	.325"x7 SPUR	
3	537 29 16-02	1	3/8"x7 SPUR	
4	503 25 52-01	1		3
5	537 25 26-01	1		
6	544 18 01-04	1		
7	503 89 16-01	1		6
8	503 23 00-60	1		6
9	537 06 93-02	1		6
10	503 89 15-01	1		6
11	721 11 64-30	1		6
12	537 02 71-01	1		6
13	503 21 74-16	1		
14	537 26 15-01	1		
15	537 26 14-01	1		
16	510 04 43-01	1		

**C** 455e, 455, 460  
COVER

1

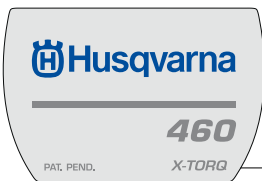
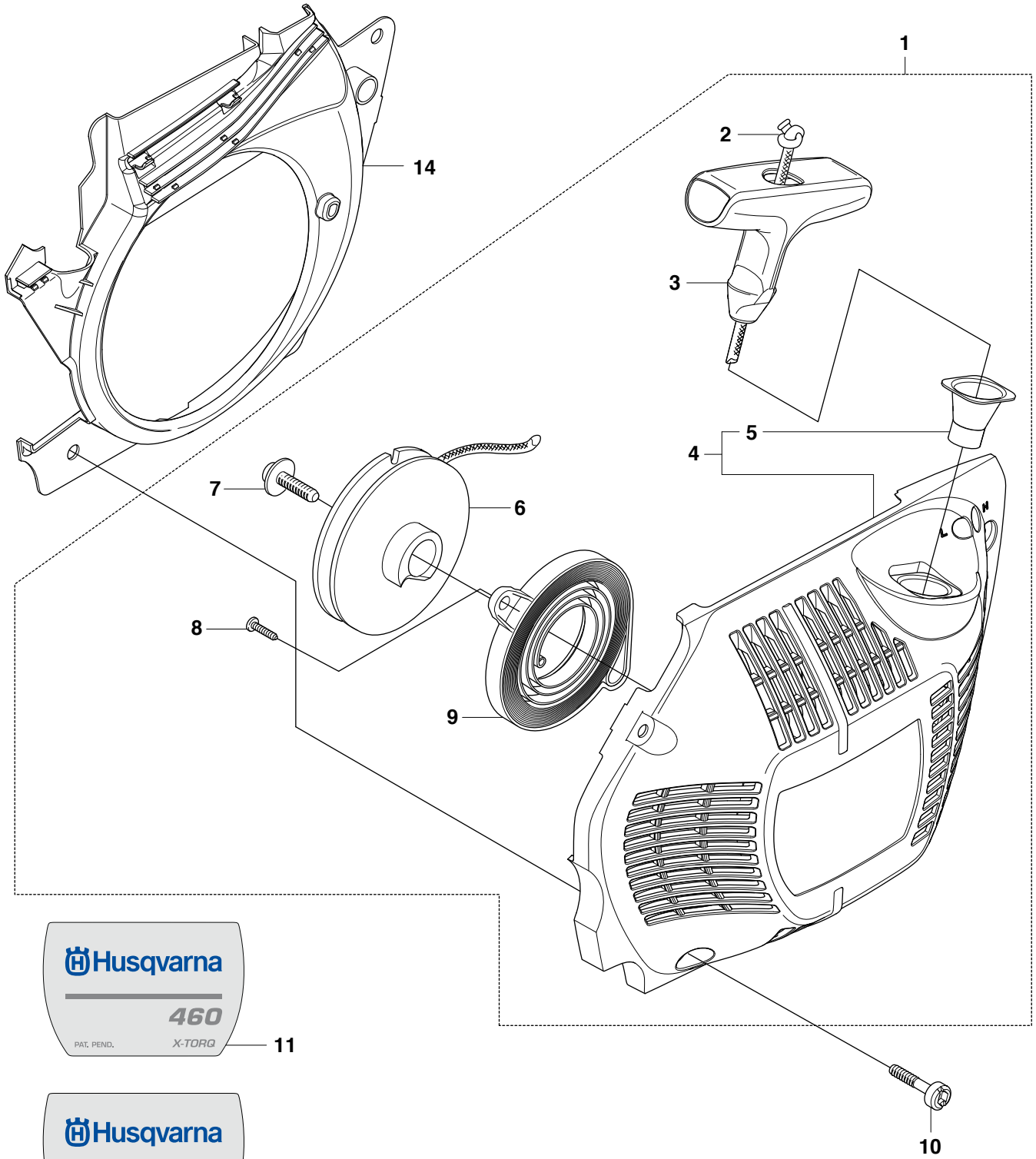




**Page C** 455e, 455, 460 **COVER**

<b>Position</b>	<b>Article</b>	<b>Quantity</b>	<b>Notes</b>	<b>Kit</b>
1	537 30 89-01	1		
2	503 20 34-76	3		1
3	503 98 74-01	1		1

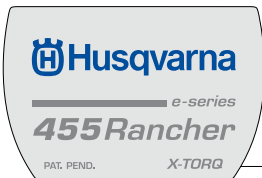
**D** 455e, 455, 460  
STARTER



11



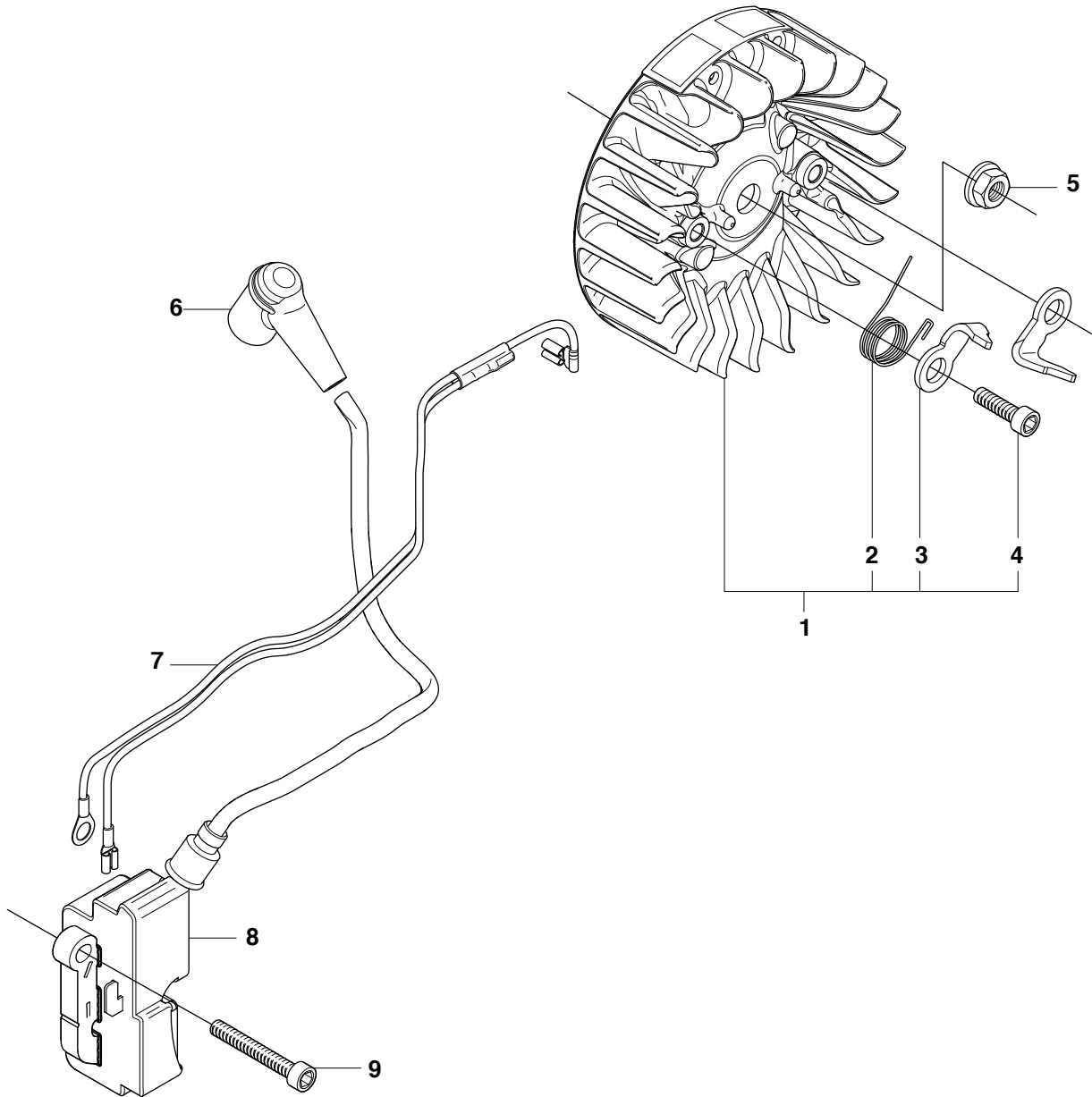
12



13

<b>Position</b>	<b>Article</b>	<b>Quantity</b>	<b>Notes</b>	<b>Kit</b>
1	537 28 42-01	1		
2	505 30 51-25	1		1
3	537 23 25-01	1		1
4	537 28 41-01	1		1
5	537 28 32-01	1		1, 4
6	537 09 25-01	1		1
7	503 21 77-16	1		1
8	503 21 29-10	2		1
9	537 24 17-01	1		1
10	503 21 73-72	4		
11	537 32 33-07	1		
12	537 32 33-04	1		
13	537 32 33-06	1		
14	537 26 09-01	1		

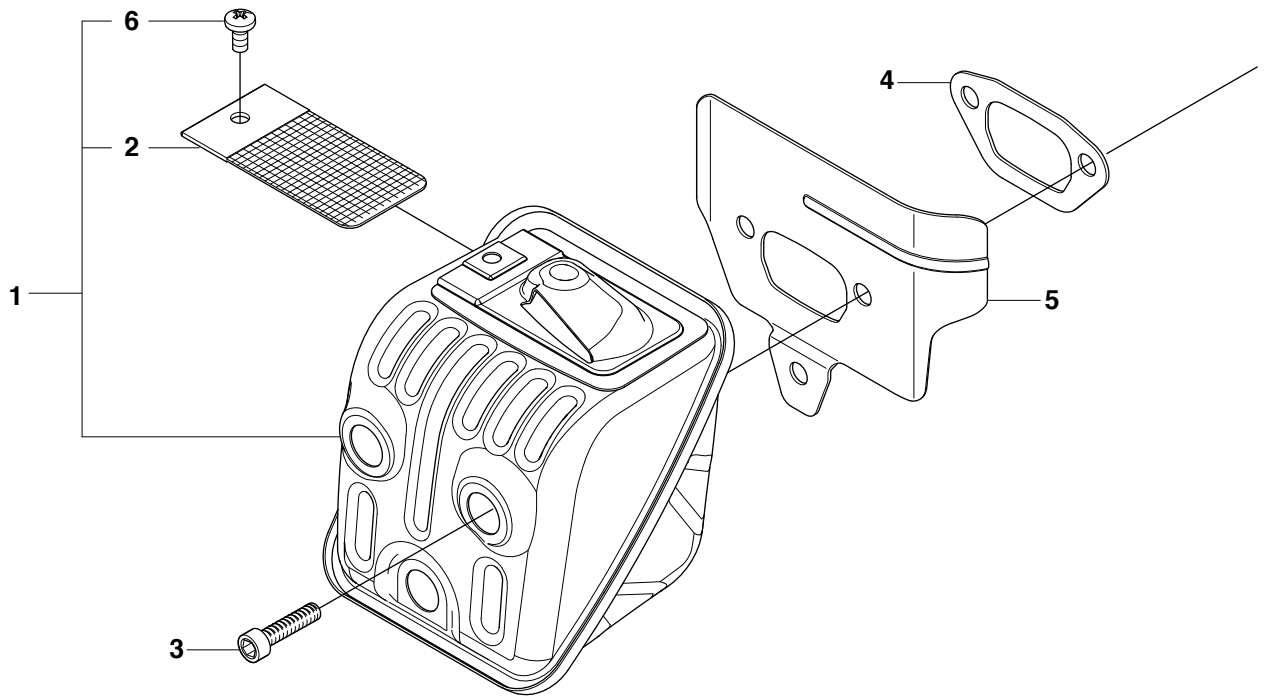
**E** 455e, 455, 460  
ELECTRICAL



**Page E** 455e, 455, 460 **ELECTRICAL**

<b>Position</b>	<b>Article</b>	<b>Quantity</b>	<b>Notes</b>	<b>Kit</b>
1	537 29 27-01	1		
2	529 27 11-01	2		1
3	537 24 56-01	2		1
4	501 81 99-03	2		1
5	503 22 04-01	1		
6	501 48 54-02	1		
7	537 27 27-01	1		
8	544 04 70-01	1		
9	503 21 55-25	2		

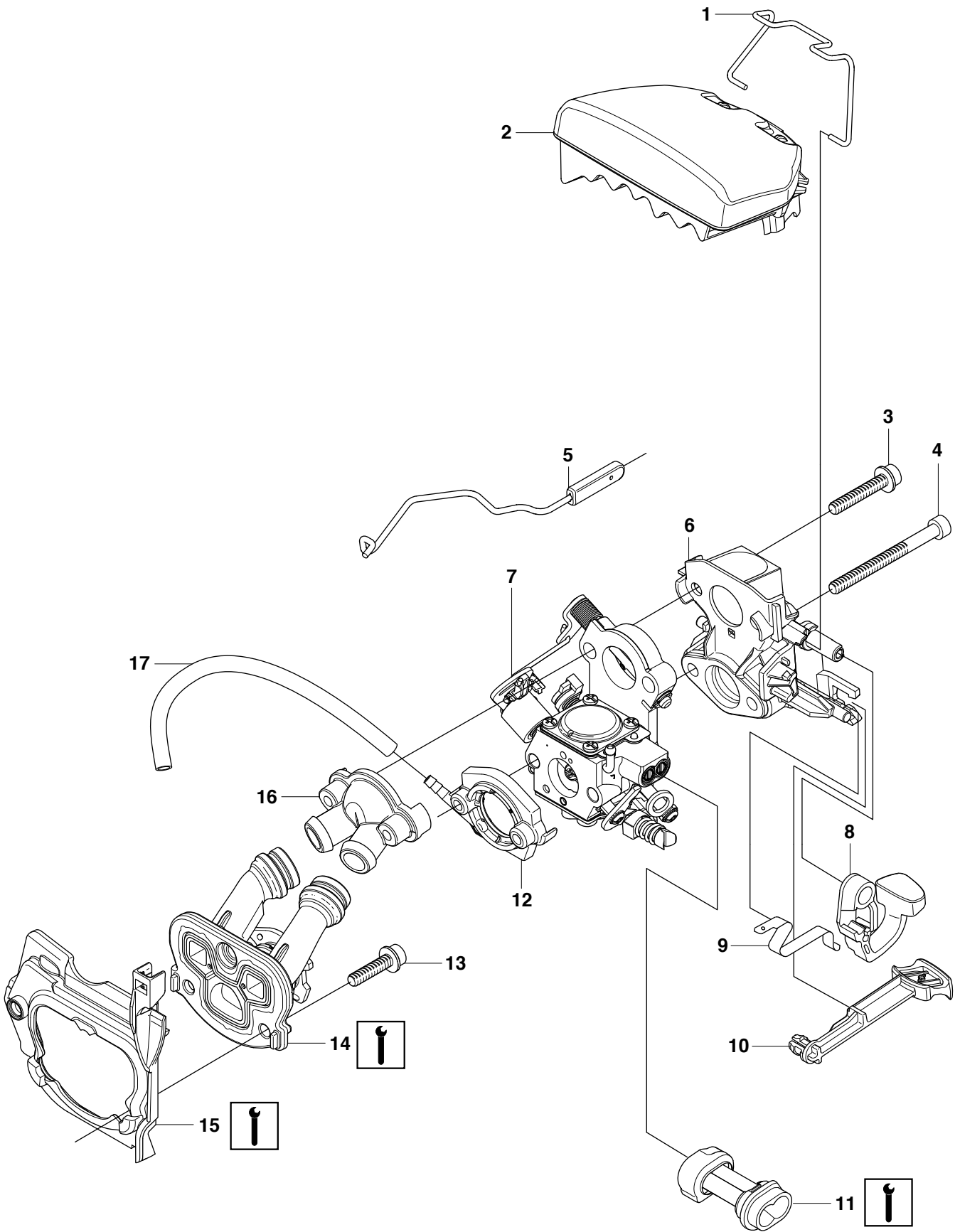
**F** 455e, 455, 460  
MUFFLER



**Page F**    455e, 455, 460    MUFFLER

<b>Position</b>	<b>Article</b>	<b>Quantity</b>	<b>Notes</b>	<b>Kit</b>
1	505 41 62-02	1		
2	544 11 68-02	1		1
3	725 53 68-55	3		
4	537 28 77-01	1		
5	537 28 76-01	1		
6	724 12 87-59	1		1

**G** 455e, 455, 460  
CARBURETOR & AIR FILTER

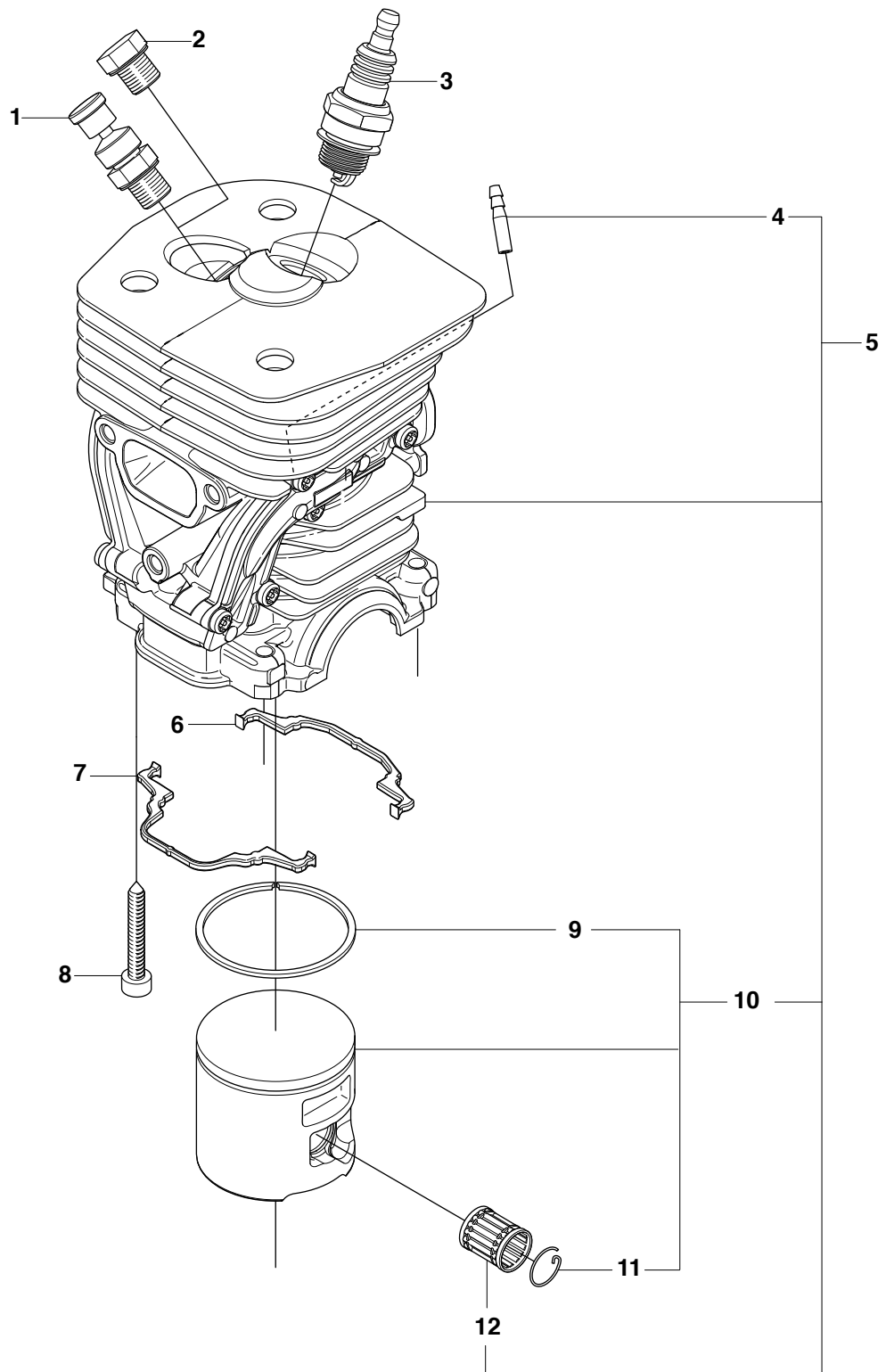




**Page G 455e, 455, 460 CARBURETOR & AIR FILTER**

<b>Position</b>	<b>Article</b>	<b>Quantity</b>	<b>Notes</b>	<b>Kit</b>
1	537 30 49-01	1		
2	537 25 57-01	1	$\mu$ 80	
2	537 25 57-02	1	$\mu$ 44	
2	537 25 57-03	1	FELT	
3	503 21 55-25	2		
4	503 21 74-50	2		
5	537 26 08-02	1		
6	537 32 30-01	1		
7	544 88 30-01	1	Walbro WTEA-1	
8	537 25 55-01	1		
9	503 86 97-02	1		
10	537 25 56-01	1		
11	544 07 14-01	1		
12	537 24 15-01	1		
13	503 20 02-16	3		
14	537 32 10-02	1		
15	537 37 14-01	1		
16	537 24 14-01	1		
17	544 32 49-26	1		

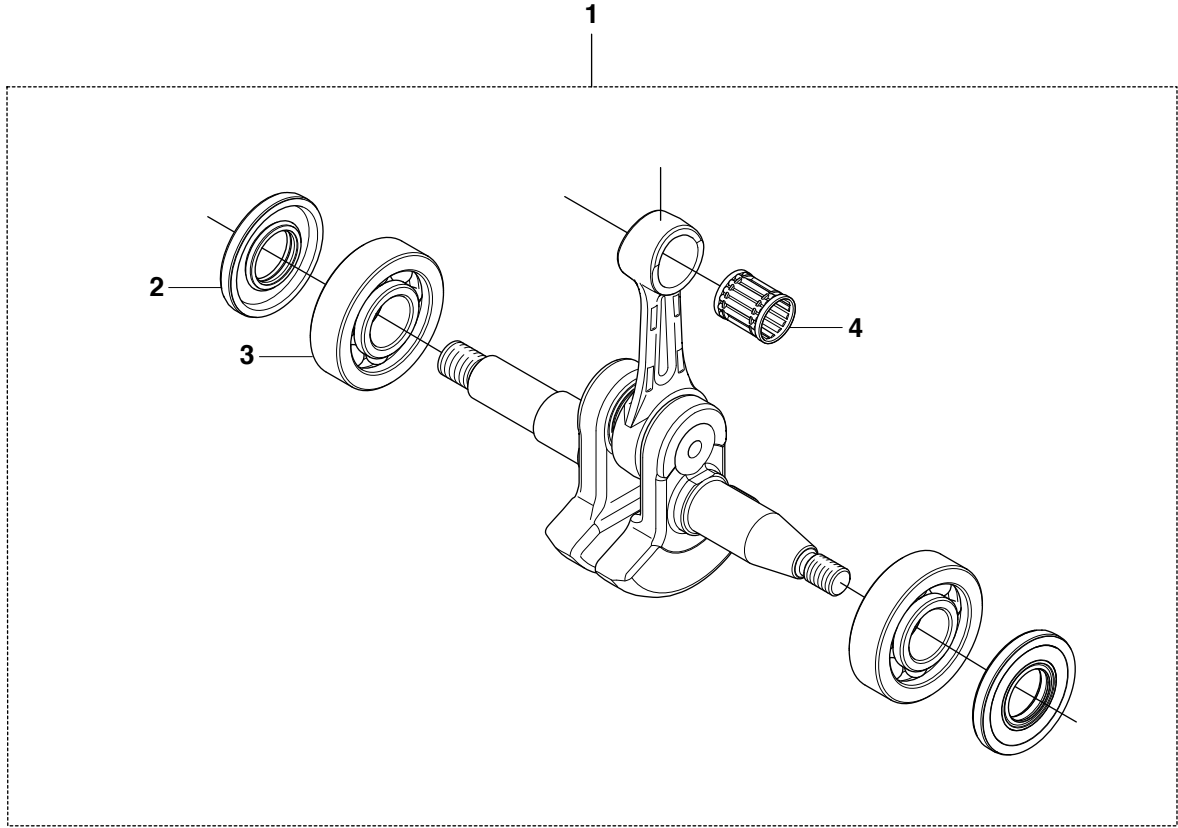
**H** 455e, 455, 460  
CYLINDER PISTON



**Page H 455e, 455, 460 CYLINDER PISTON**

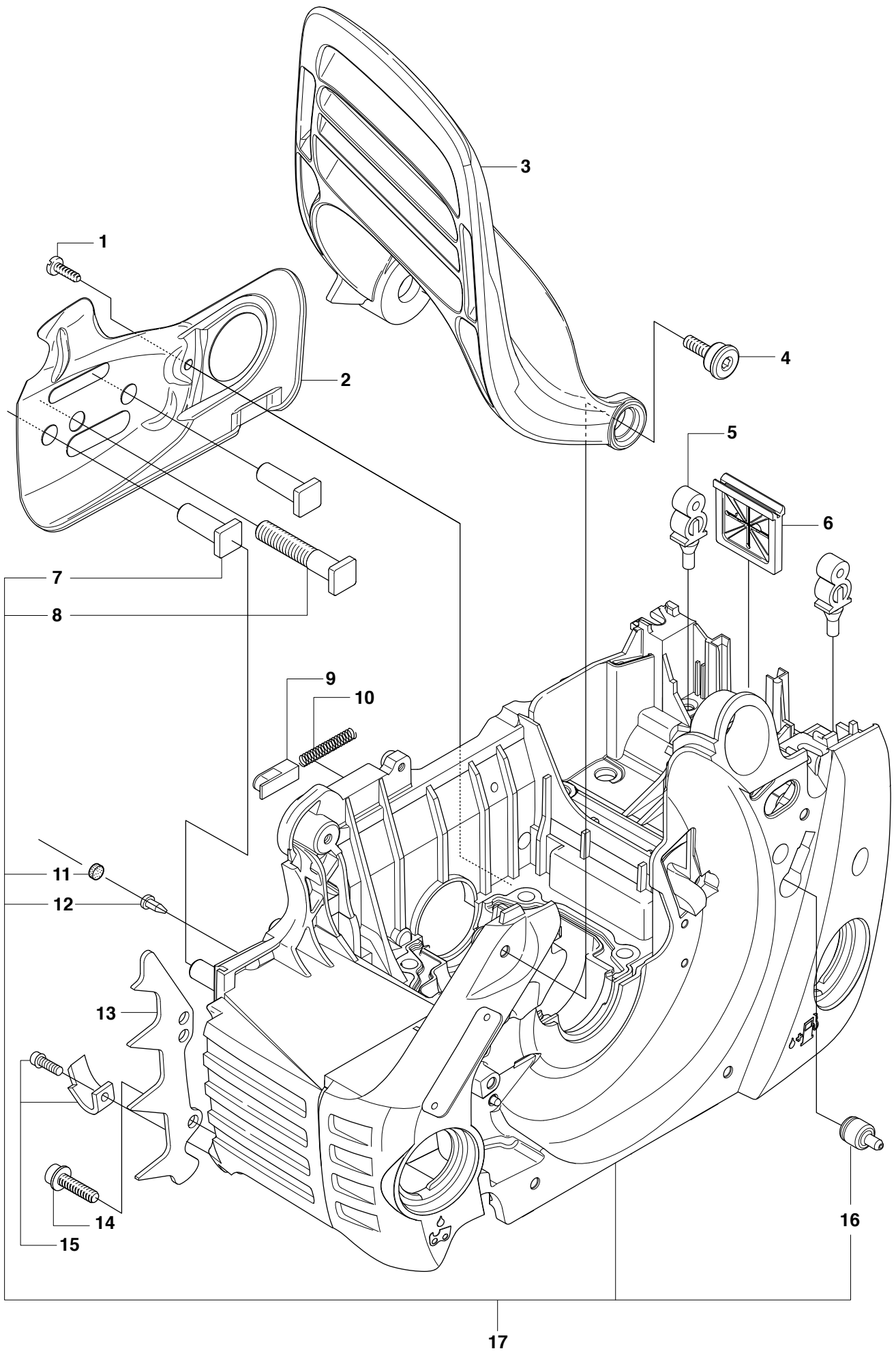
<b>Position</b>	<b>Article</b>	<b>Quantity</b>	<b>Notes</b>	<b>Kit</b>
1	537 31 05-01	1		
2	503 55 22-01	1		
3	503 23 51-08	1	RCJ7Y	
4	503 42 43-01	4		5
5	537 32 04-02	1	455	
5	537 32 05-01	1	460	
6	537 24 58-01	1		
7	537 24 57-01	1		
8	503 20 05-27	4		
9	503 28 90-50	2	455	10, 5
9	537 40 15-01	2	460	10, 5
10	537 29 30-02	1	455	5
10	537 40 13-02	1	460	5
11	737 43 12-00	2		10, 5
12	501 86 18-01	1		5

**J** 455e, 455, 460  
CRANKSHAFT



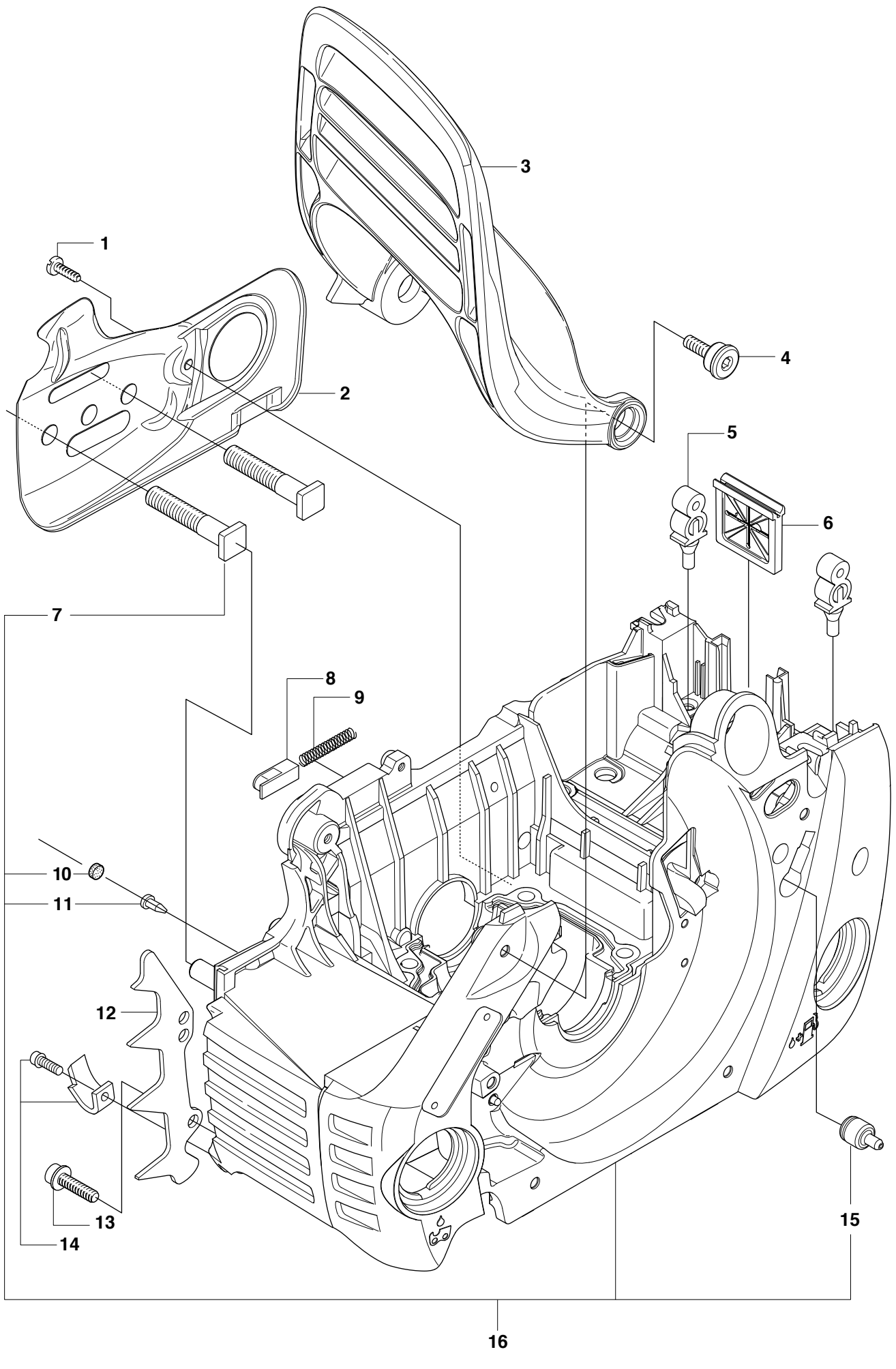
<b>Position</b>	<b>Article</b>	<b>Quantity</b>	<b>Notes</b>	<b>Kit</b>
1	537 31 40-02	1		
2	503 26 19-01	2		1
3	503 25 16-02	2		1
4	501 86 18-01	1		1

**K1** 455e,  
CRANKCASE



Position	Article	Quantity	Notes	Kit
1	503 21 70-10	1		
2	537 27 13-02	1		
3	537 28 43-01	1		
4	537 29 65-01	2		
5	503 86 93-01	2		
6	537 26 04-01	1		
7	537 33 46-02	2		17
8	537 22 78-01	1		17
9	503 89 24-01	1		
10	503 43 65-01	1		
11	537 40 35-01	1		17
12	530 02 61-19	1		17
13	503 97 38-01	1		
14	503 21 68-20	2		
15	503 91 06-71	1		
16	537 35 95-01	1		17
17	537 28 20-04	1		

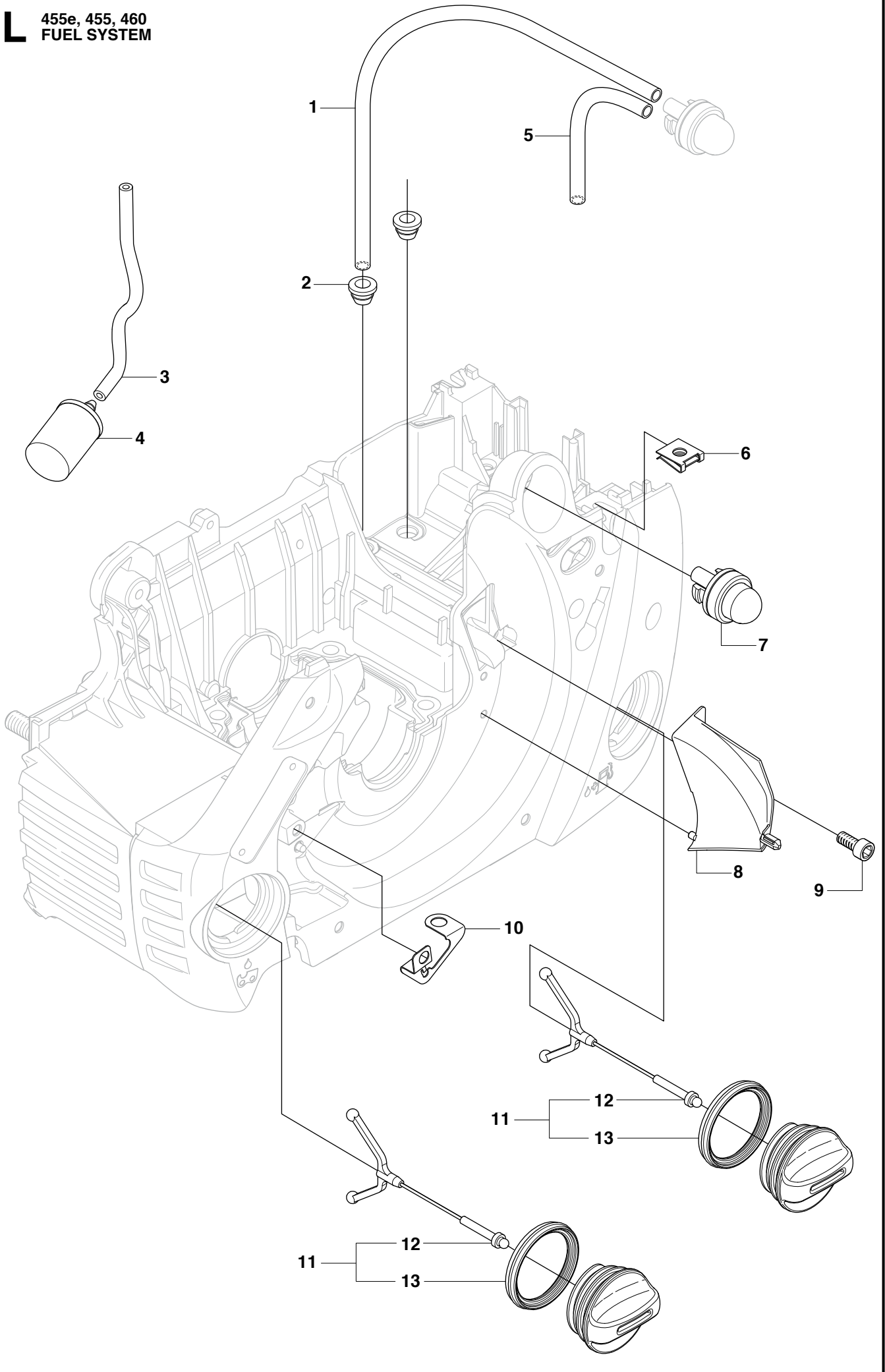
**K2** 455, 460  
CRANKCASE





Position	Article	Quantity	Notes	Kit
1	503 21 70-10	1		
2	537 27 13-02	1		
3	537 28 43-01	1		
4	537 29 65-01	2		
5	503 86 93-01	2		
6	537 26 04-01	1		
7	537 22 78-01	2		16
8	503 89 24-01	1		
9	503 43 65-01	1		
10	537 40 35-01	1		16
11	530 02 61-19	1		16
12	503 97 38-01	1		
13	503 21 68-20	2		
14	503 91 06-71	1		
15	537 35 95-01	1		16
16	537 28 20-02	1		

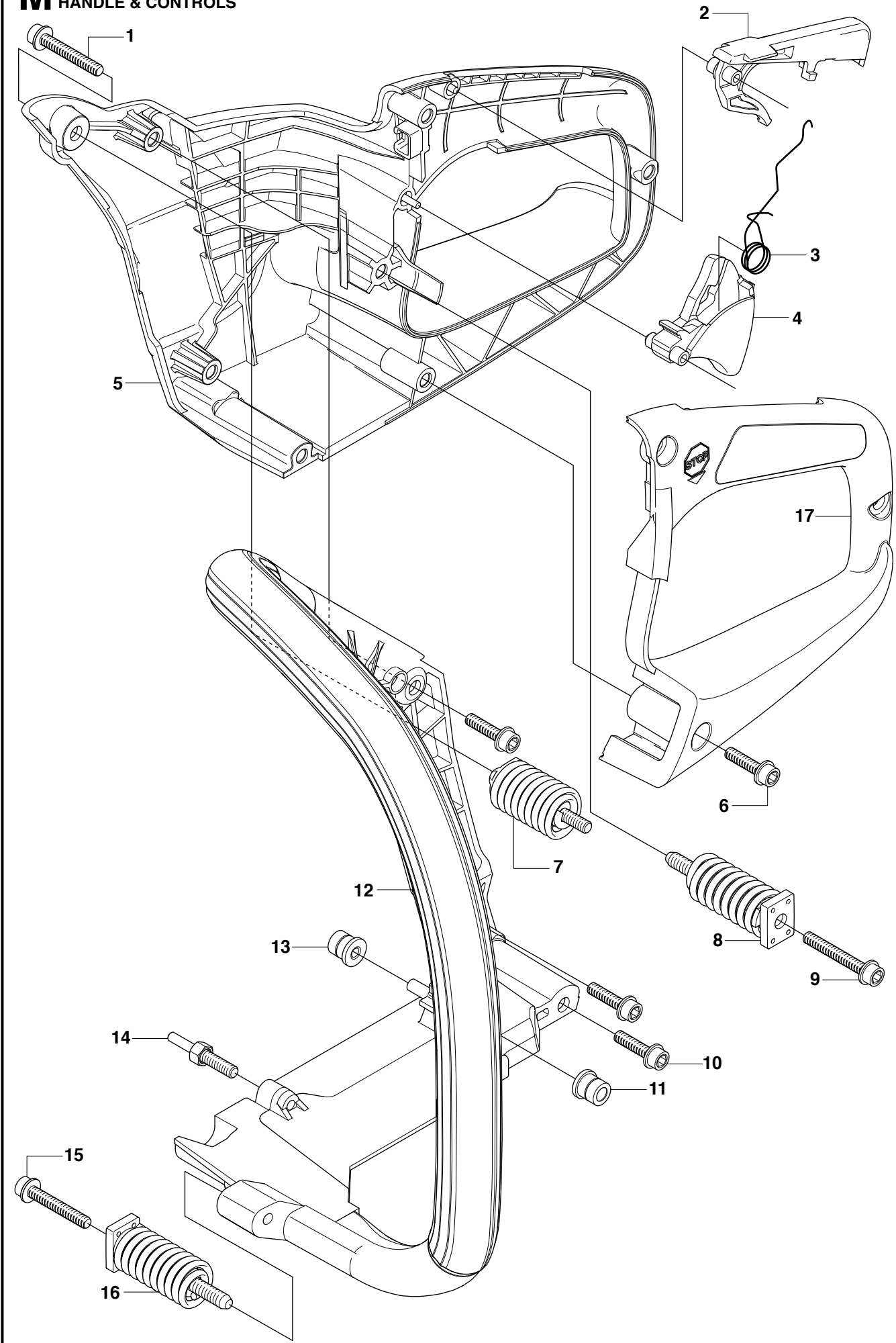
**L** 455e, 455, 460  
**FUEL SYSTEM**



**Page L** 455e, 455, 460 **FUEL SYSTEM**

<b>Position</b>	<b>Article</b>	<b>Quantity</b>	<b>Notes</b>	<b>Kit</b>
1	537 04 24-08	1		
2	503 73 58-01	2		
3	544 32 50-02	1		
4	503 44 32-01	1		
5	537 04 24-02	1		
6	503 22 69-02	3		
7	503 93 66-01	1		
8	537 31 79-01	1		
9	503 21 74-12	1		
10	537 27 80-01	1		
11	537 21 52-02	2		
12	503 57 89-01	1		11
13	537 21 50-01	1		11

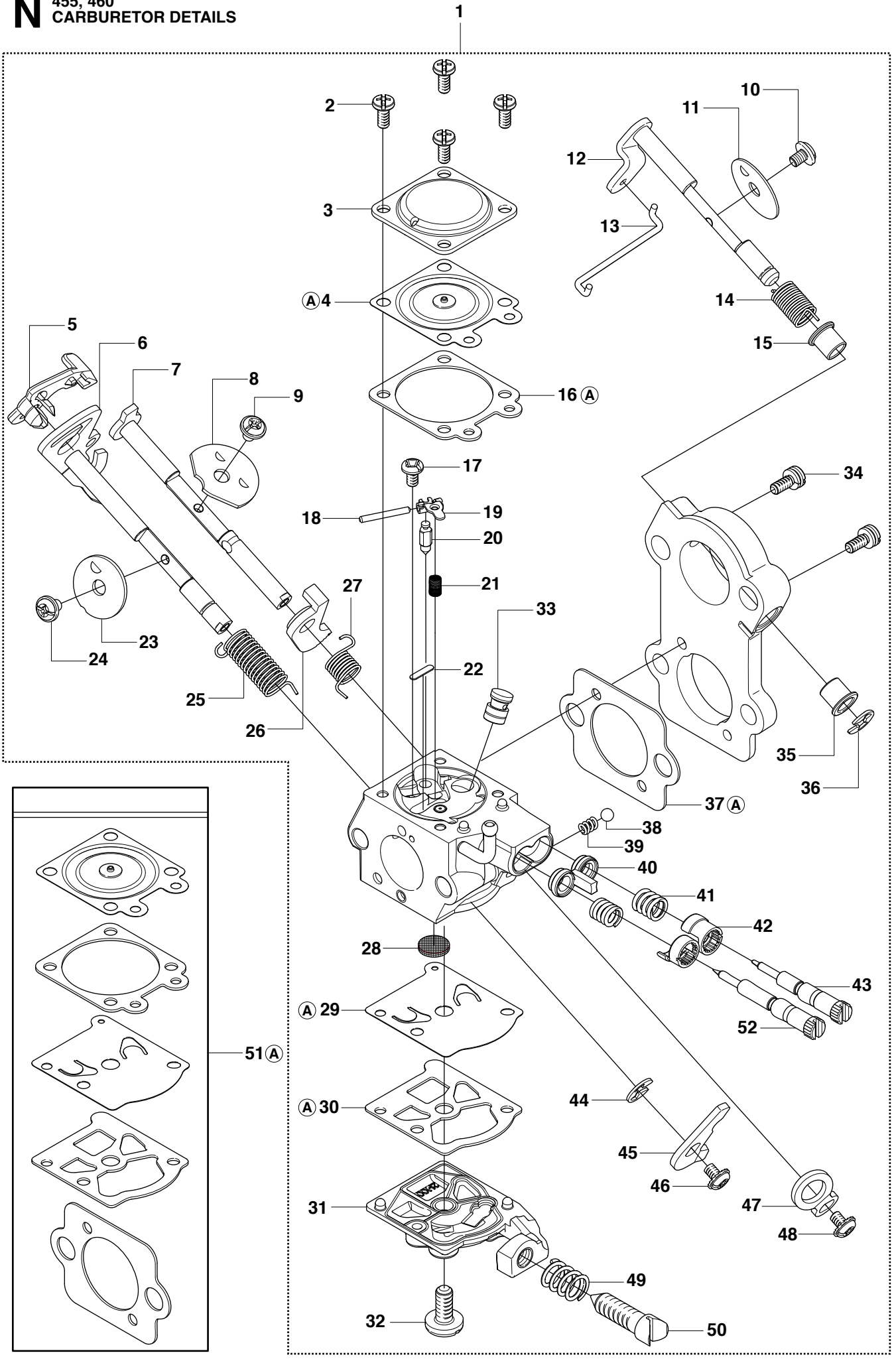
**M** 455e, 455, 460  
HANDLE & CONTROLS



**Page M 455e, 455, 460 HANDLE & CONTROLS**

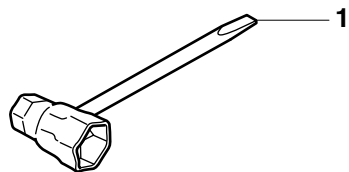
<b>Position</b>	<b>Article</b>	<b>Quantity</b>	<b>Notes</b>	<b>Kit</b>
1	503 21 88-25	1		
2	537 26 24-01	1		
3	503 99 86-01	1		
4	537 26 05-01	1		
5	537 23 06-01	1		
6	503 21 02-70	3		
7	537 30 46-01	1		
8	503 85 41-01	1		
9	503 21 88-76	1		
10	503 21 02-70	3		
11	503 86 92-01	1		
12	537 23 05-01	1		
13	503 86 92-01	3		
14	537 24 29-01	1		
15	503 21 88-76	1		
16	503 92 31-01	1		
17	537 23 07-01	1		

**N** 455, 460  
CARBURETOR DETAILS



Position	Article	Quantity	Notes	Kit
1	544 88 30-01	1	WALBRO, WTEA-1	
2	503 58 46-01	4		1
3	505 31 67-54	1		1
4	502 84 70-01	1		1, 51
5	537 30 62-01	1		1
6	537 40 74-01	1		1
7	537 40 75-01	1		1
8	537 40 77-01	1		1
9	537 00 34-01	1		1
10	537 00 34-01	1		1
11	537 40 68-01	1		1
12	537 40 69-01	1		1
13	537 40 72-01	1		1
14	537 40 70-01	1		1
15	537 40 67-01	1		1
16	504 35 09-06	1		1, 51
17	502 84 71-01	1		1
18	505 52 01-25	1		1
19	502 84 74-01	1		1
20	503 56 34-01	1		1
21	503 91 47-01	1		1
22	502 84 69-01	1		1
23	502 84 66-01	1		1
24	544 11 15-01	1		1
25	537 40 84-01	1		1
26	537 40 92-01	1		1
27	537 40 86-01	1		1
28	501 66 61-01	1		1
29	502 21 36-01	1		1, 51
30	504 13 09-06	1		1, 51
31	537 40 73-01	1		1
32	501 46 69-01	1		1
33	502 84 68-01	1		1
34	537 40 83-01	2		1
35	537 40 66-01	1		1
36	505 31 67-36	1		1
37	537 40 81-01	1		1, 51
38	501 46 85-01	1		1
39	501 46 84-01	1		1
40	544 97 14-01	1		1
41	544 97 10-01	2		1
42	544 97 08-01	2		1
43	502 84 72-01	1	High Speed	1
44	505 31 67-36	1		1
45	537 40 71-01	1		1
46	501 46 87-01	1		1
47	537 40 76-01	1		1
48	501 46 87-01	1		1
49	503 56 42-01	1		1
50	537 40 82-01	1		1
51	505 27 84-01	1	A = Set of Gaskets	
52	502 84 73-01	1	Low Speed	1

**P** 455e, 455, 460  
Tillbehör  
Accessories  
Zubehöre  
Accessoires  
Accesorios

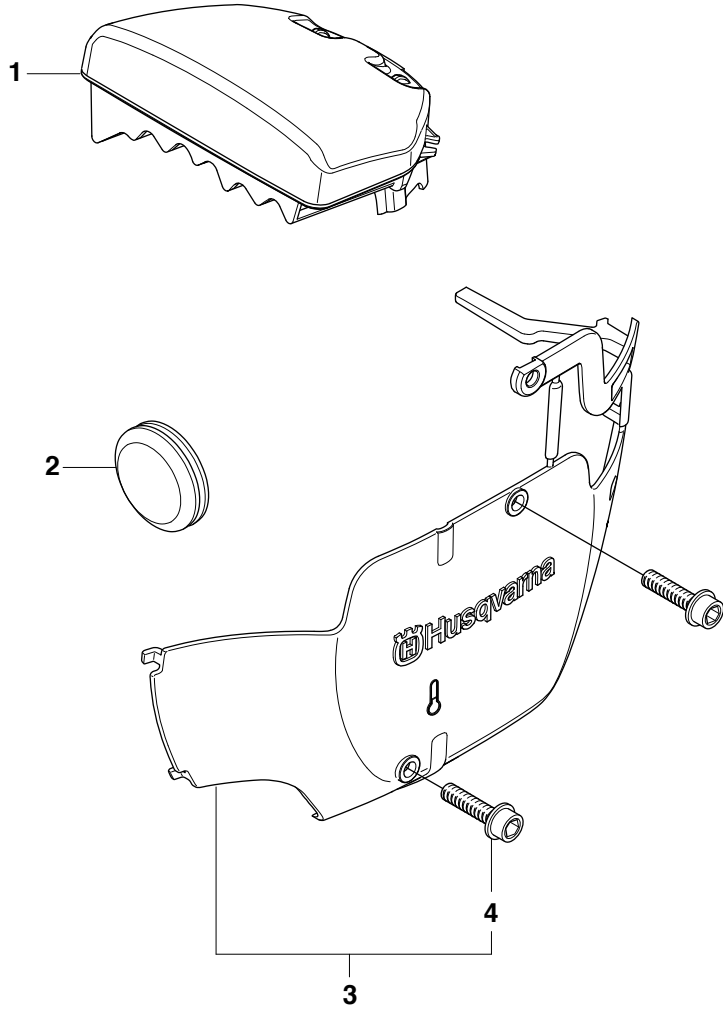




**Page P** 455e, 455, 460 **ACCESSORIES**

<b>Position</b>	<b>Article</b>	<b>Quantity</b>	<b>Notes</b>	<b>Kit</b>
1	501 69 17-01	1		

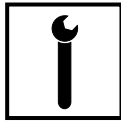
**Q** 455e, 455, 460  
WINTER KIT



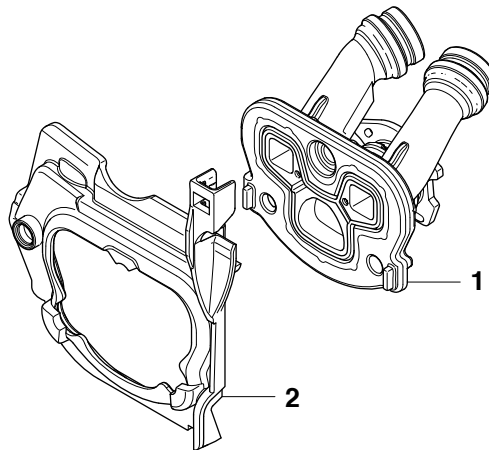
**Page Q** 455e, 455, 460 **WINTER KIT**

<b>Position</b>	<b>Article</b>	<b>Quantity</b>	<b>Notes</b>	<b>Kit</b>
1	537 25 57-01	1	$\mu$ 80	
2	503 40 59-01	1		
3	537 35 60-01	1		
4	503 21 70-16	2		3

**R** 455e, 455, 460



**Up to 054802250 (455Rancher)**  
**Up to 054802250 (460)**



**Page R** 455e, 455, 460 **SERVICE UPDATE**

<b>Position</b>	<b>Article</b>	<b>Quantity</b>	<b>Notes</b>	<b>Kit</b>
1	537 32 10-02	1		
2	537 23 61-01	1		

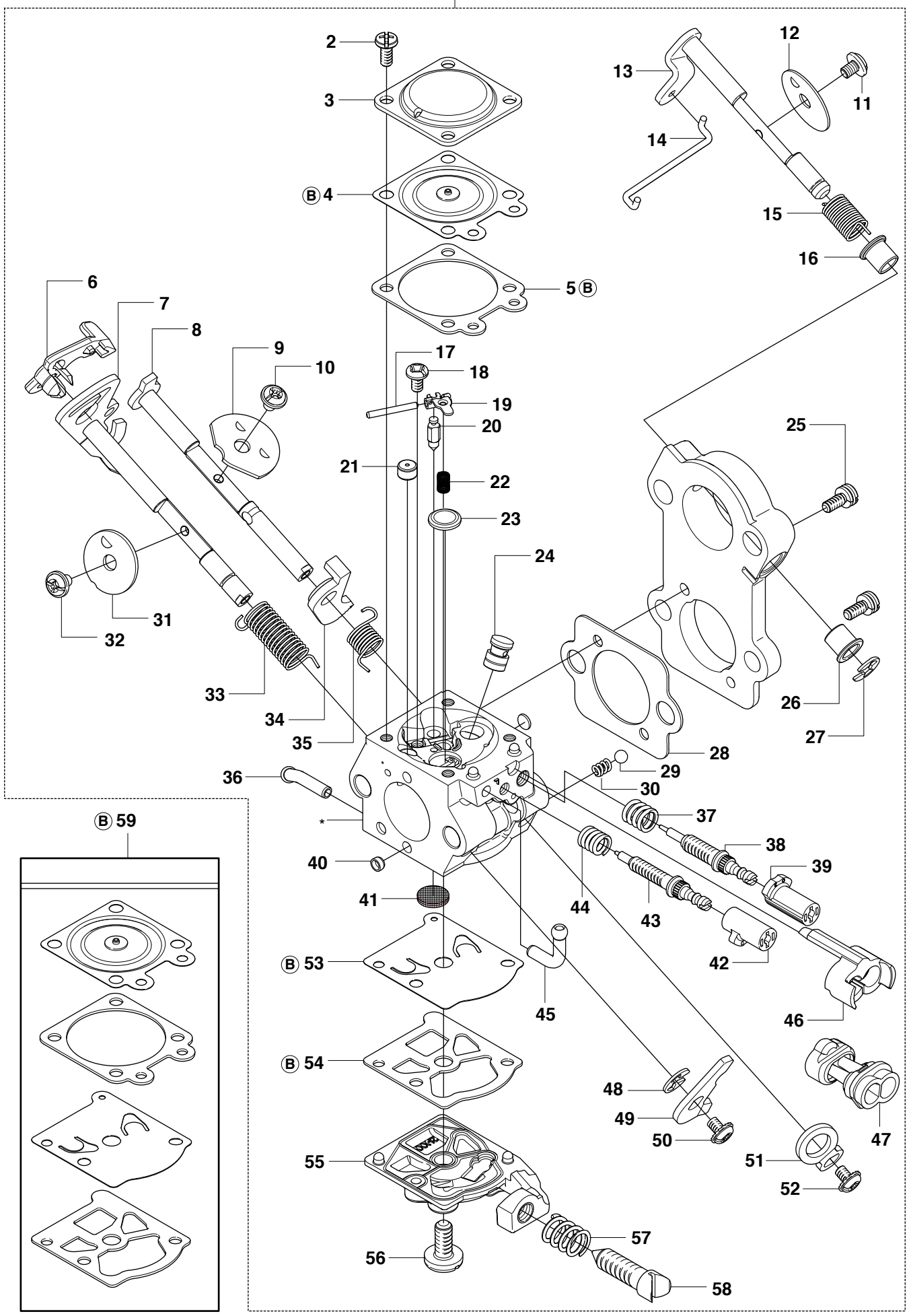
S 455e, 455



Up to 080500001

Walbro WTA-29A

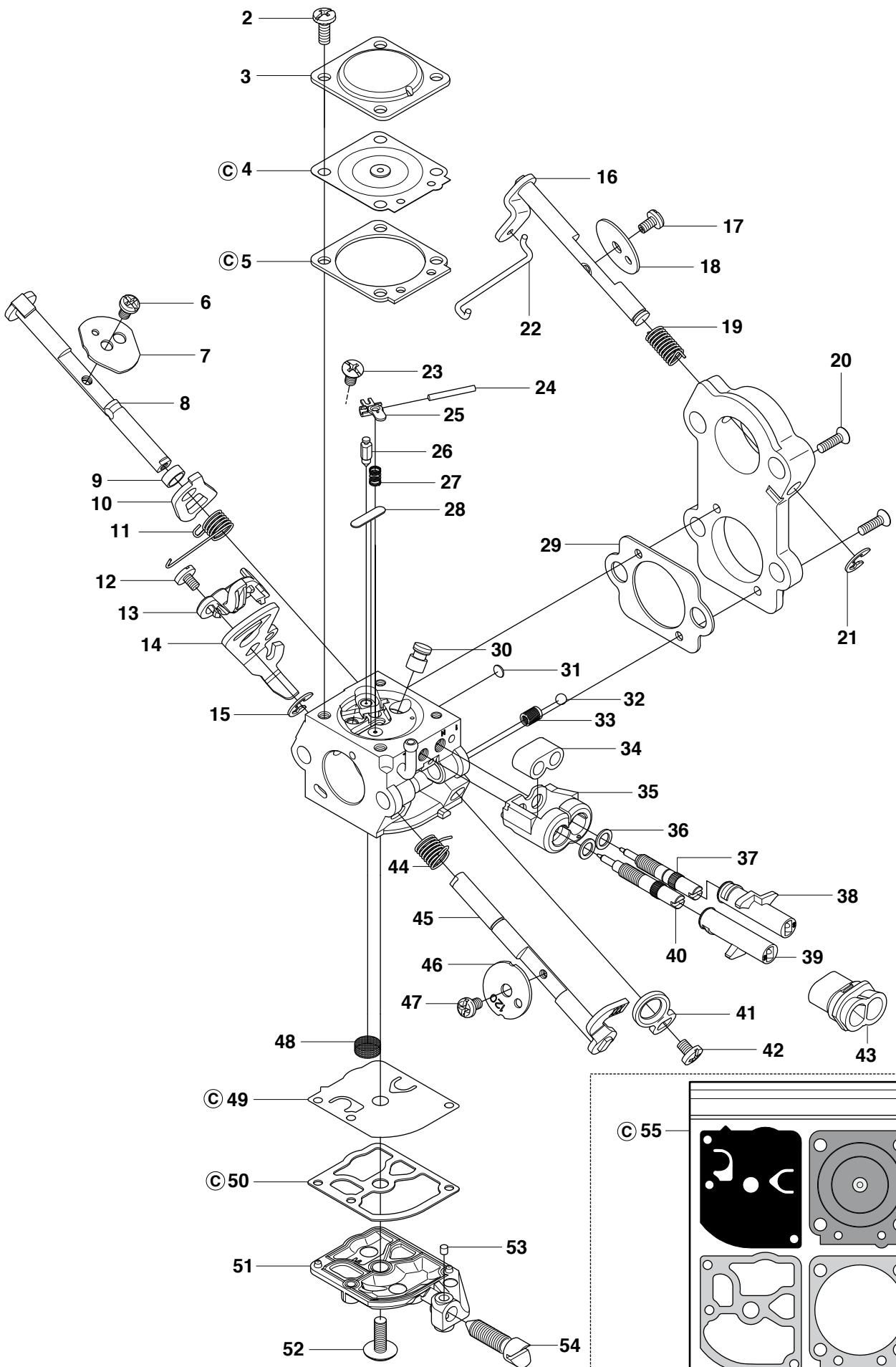
1



Position	Article	Quantity	Notes	Kit
1	544 22 74-01	1	Walbro WTA-29A	
2	503 58 46-01	4		1
3	505 31 67-54	1		1
4	503 89 67-01	1		1, 59
5	504 35 09-06	1		1, 59
6	537 30 62-01	1		1
7	537 40 74-01	1		1
8	537 40 75-01	1		1
9	537 40 77-01	1		1
10	501 46 87-01	1		1
11	501 46 87-01	1		1
12	537 40 68-01	1		1
13	537 40 69-01	1		1
14	537 40 72-01	1		1
15	537 40 70-01	1		1
16	537 40 67-01	1		1
17	505 52 01-25	1		1
18	505 31 67-17	1		1
19	505 52 01-27	1		1
20	503 56 34-01	1		1
21	537 40 79-01	1		1
22	537 40 85-01	1		1
23	503 57 42-01	1		1
24	503 80 04-01	1		1
25	537 40 83-01	2		1
26	537 40 66-01	1		1
27	502 11 98-01	1		1
28	537 40 81-01	1		1
29	501 46 85-01	1		1
30	501 46 84-01	1		1
31	503 93 51-01	1		1
32	530 03 50-15	1		1
33	537 40 84-01	1		1
34	537 40 92-01	1		1
35	537 40 86-01	1		1
36	537 40 90-01	1		1
37	504 21 00-49	1		1
38	537 40 87-01	1	High Speed	1
39	503 91 39-01	1		1
40	537 40 80-01	1		1
41	501 66 61-01	1		1
42	503 91 40-01	1		1
43	537 40 88-01	1	Low Speed	1
44	504 21 00-50	1		1
45	537 40 91-01	1		1
46	503 91 54-01	1		1
47	537 24 08-01	1		1
48	502 11 98-01	1		1
49	537 40 71-01	1		1
50	501 46 87-01	1		1
51	537 40 76-01	1		1
52	501 46 87-01	1		1
53	504 13 08-07	1		1, 59
54	504 13 09-06	1		1, 59
55	537 40 73-01	1		1
56	501 46 69-01	1		1
57	503 56 42-01	1		1
58	537 40 82-01	1		1
59	537 41 26-01	1	B = Set of Gaskets	



1





Position	Article	Quantity	Notes	Kit
1	544 31 29-01	1	ZAMA C1M-EL35	
2	503 48 05-01	4		1
3	537 38 37-01	1		1
4	544 32 12-01	1		1, 55
5	537 38 36-01	1		1, 55
6	503 48 18-01	1		1
7	544 32 23-01	1		1
8	544 32 18-01	1		1
9	537 27 44-01	1		1
10	544 32 20-01	1		1
11	537 02 10-01	1		1
12	503 47 90-01	1		1
13	537 33 25-01	1		1
14	544 32 17-01	1		1
15	537 38 50-01	1		1
16	544 32 26-01	1		1
17	503 48 18-01	1		1
18	544 32 27-01	1		1
19	544 32 28-01	1		1
20	537 38 51-01	2		1
21	537 38 50-01	1		1
22	544 32 29-01	1		1
23	503 48 01-01	1		1
24	503 48 00-01	1		1
25	503 66 59-01	1		1
26	503 47 97-01	1		1
27	503 47 81-01	1		1
28	503 53 56-01	1		1
29	537 38 53-01	1		1
30	544 32 16-01	1		1
31	544 11 95-01	1		1
32	537 01 25-01	1		1
33	537 01 26-01	1		1
34	537 27 42-01	1		1
35	503 90 34-01	1		1
36	503 97 40-01	2		1
37	544 46 63-01	1	High Speed	1
38	537 38 47-01	1		1
39	537 38 46-01	1		1
40	537 27 35-01	1	Low Speed	1
41	544 32 25-01	1		1
42	503 47 90-01	1		1
43	537 23 87-01	1		1
44	537 38 29-01	1		1
45	544 32 10-01	1		1
46	537 38 30-01	1		1
47	503 48 18-01	1		1
48	503 53 57-01	1		1
49	537 38 31-01	1		1, 55
50	537 02 01-01	1		1, 55
51	544 32 11-01	1		1
52	503 47 96-01	1		1
53	503 48 11-01	1		1
54	537 38 33-01	1		1
55	544 95 65-01	1	C = Set of Gaskets. GND-80	